

Large Control Filter

The Large Control Filter is used for filtration of dirty control fluid that might quickly block a smaller filter element. The Large Control Filter increases the reliability of the control valve system and time between maintenance, while minimizing faulty operation.

Technical Data

Filter Element: Disc Type, 60 mesh; 250 µm

Filter types:

- Large Control Filter (F)
- Extra Large Control Filter (F1)

Pressure Rating:

- 25 bar; 350 psi (Standard)
- 40 bar; 600 psi (HP Model)

Max Temperature: 80°C; 180°F

Ports:

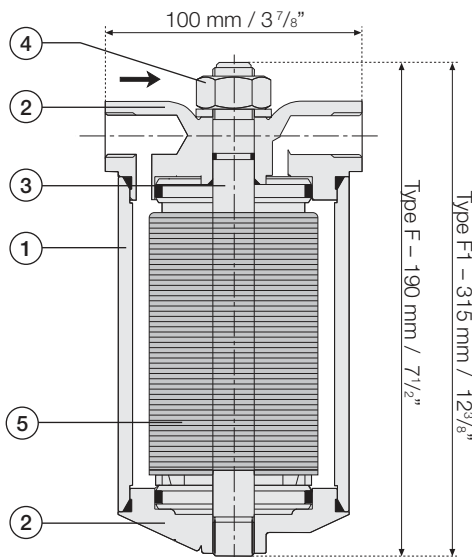
- 3/8" NPT female
- 1/2" NPT female



Materials:

	Standard	St. St.	Ni-Al-Bronze	Super Duplex	Hastalloy
1 Body	Carbon Steel, Epoxy Coated	St. St. 316	Ni-Al-Bronze	Super Duplex	Hastalloy
2 Covers	Brass	St. St. 316	Ni-Al-Bronze	Super Duplex	Hastalloy
3 Stem ⁽¹⁾	St. St. 304	St. St. 316	Ni-Al-Bronze	Super Duplex	Hastalloy
4 Nut	St. St. 304	St. St. 316	St. St. 316	St. St. 316	St. St. 316
5 Filter Element	Construction: Polypropylene, Grooved discs: Polyethylene				
Seals ⁽²⁾	NBR				

(1) For HP models stem might differ
 (2) Optional Seals: EPDM and Viton



Weight:
 Type F - 2.7 kg; 6 lbs
 Type F1 - 5.3 kg; 11.7 lbs

