

General Purpose Pressure Switch

Model PS-10

The Model PS-10, adjustable, pre-set Pressure Switch is suitable for pressure and/or flow detection in BERMAD valve systems such as Deluge or Pre-action, or with other control valves Suited to non-hazardous loactions the model PS-10 is also used to provide a low pressure supervisory signal for BERMAD Pre-action Systems and pneumatically controlled deluge valves.

Features

- Weather/UV/Flame Resistant High Impact Composite
- IP66 / NEMA 4 watertight and dust proof when used with suitable cable connection
- 20.7 bar (300psi) system pressure rated
- One SPDT or two SPDT version for DPDT action (marked with 2A suffix)
- Convenient field adjustability
- Global approvals
- Reliable and dependable

Notice:

These pressure switches have a normal service life of 10-15 years. However, the service life may be significantly reduced by local environmental conditions.

Approvals

- UL and ULC listed
- FM Approved
- VdS Approved
- CE Marked

Materials

- Wetted parts: Polyamide (PA), corrosion resistant
- Cover: High Impact Composite
- Base: Die-Cast Aluminum

Connections

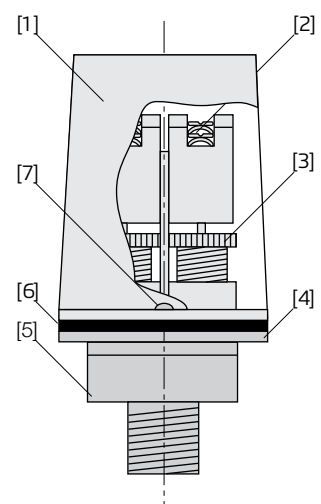
- Pressure: ½" NPT (M)
- Two knockouts for ½" conduit

Typical Installation

The Pressure Switch shall be connected to the BERMAD valve alarm discharge piping. Ensure that no shut-off valves are located between the alarm piping and the Pressure Switch. The device should be mounted in an upright position. IP66/NEMA 4 conduit fitting or cable gland is required for outdoor installations.



(for illustration only)



Major Parts

- [1] Cover
- [2] Terminal screws
- [3] Adjustment knob
- [4] Base
- [5] Pressure connection
- [6] Gasket
- [7] Cover screw

Technical Data

Pressure Rating & Range

- Pressure Rating: 20.7 bar (300 psi)
- Factory set: +/- 1.0 bar (15 psi)
- Adjusting range: 0.3 - 1.03 bar (4 to 15 psi)
- Differential: 0.13 bar (2psi) typical
- Maximum pressure: 20.7 bar (300 psi)
- Tamper-Proof Cover: Cover requires a special key (supplied) for removal

Electrical Ratings

- 10 Amps @ 125/250VAC
- 2.0 Amps @ 30VDC
- Single or dual SPDT (from C)

Enclosure Class

- IP66 / NEMA4 Weather-proof

Ambient Temperature

- -40°C to 60°C (-40°F to 140°F)

Weight

- Approx. 0.60 kg (21oz)

Installation - Caution

An uninsulated section of a single conductor should not be looped around the terminal to serve as two separate connections.

The wire must be severed, thereby providing supervision of the connection in the event that the wire becomes dislodged from under the terminal.

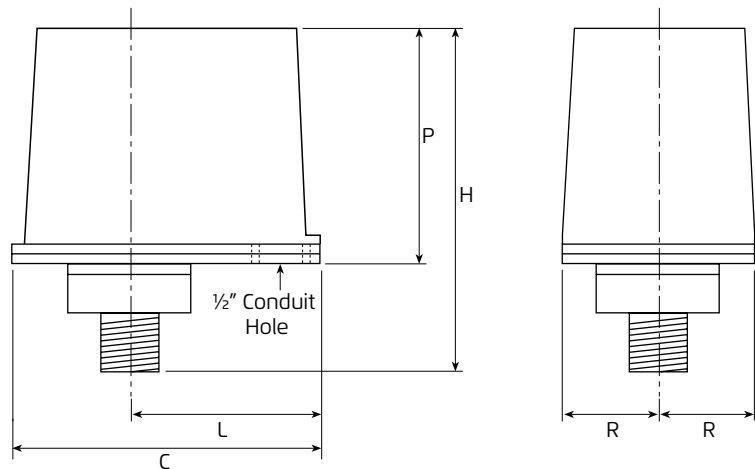
Installation Notes:

1. Refer to manufacturers Installation.
2. Wiring and Operation instructions are provided with the PS10 pressure switch.
3. Apply Teflon tape to the threaded male connection on the device (do not use pipe dope).
4. Device should be mounted in the upright position (threaded connection down).
5. Tighten using a wrench on the flats on the device.

Testing

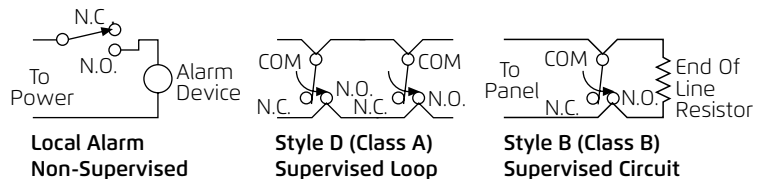
Test by opening the water bypass alarm test valve.

Caution: The above test might also activate any other circuit closer or water motor gongs that are present on the system.

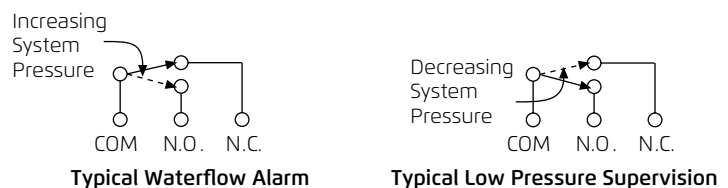


	mm	inch
H	107.2	4.22
P	73	2.87
L	63	2.48
C	96	3.78
R	40.7	1.60

Typical Electrical Connections



Pressure Switch Termination



Notes:

The operation of the PS-10 should be tested upon completion of installation and periodically thereafter in accordance with the applicable NFPA codes and standards and/or the authority having jurisdiction (manufacturer recommends quarterly or more frequently).

Specifications subject to change without notice.

