

### Hydraulic Relay Valve (HRV-2)

The HRV-2 is used as a hydraulic relay pilot valve for local release of the Bermad's deluge valve control chamber. It is held closed by the water pressure applied through the solenoid valve or by the wet pilot line. It is UL Listed when installed as part of the control trim of deluge valves.

#### Materials

##### Body

- Nickel plated Brass
- Stainless Steel 316

##### Elastomers

- NBR

##### Wetted Parts

- Brass
- Stainless Steel 316

##### Orifice

- 3/8" (9 mm)

##### Pressure Rating

- 21 bar (300 psi)

##### Temperature

- Water upto 80°C (180°F)

##### Flow factor

- KV 1.3 (CV 1.5)

##### End Connections

- 3/8" NPT

##### Approvals

- UL Listed

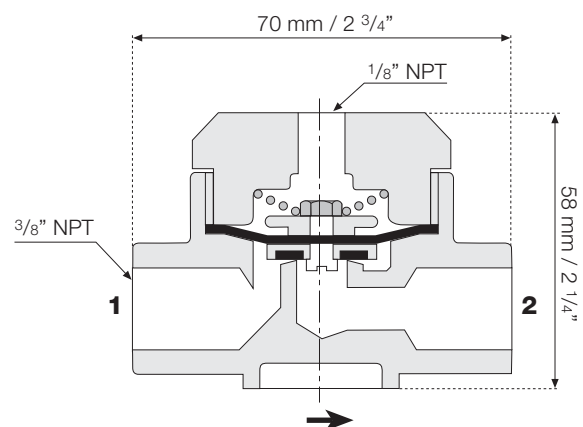
**Note:** when installed on specific Bermad Deluge Valve



Brass Construction



Corrosion Resistant Construction



Weight (Brass): 0.6 Kg / 1.3 lbs.