



## Positioning Pilot Valve

This multi-purpose, direct acting, 3-Way positioning pilot is actuated by a pressure responsive diaphragm, which tends to reach equilibrium with the set spring force.

The pilot directs flow and pressure between its ports:

- When sensed pressure is above set point, it connects port "C" to "0".
  - When sensed pressure is equal to set point, it blocks connections between all ports.
  - When sensed pressure is below set point, it connects port "C" with "A" and "Z".
- An integral needle valve restricts flow through port "Z".

### Typical Applications

- Pressure Reducing Valves (Type X) sizes 1 1/2-10"
- Pressure Sustaining Valves (Type X) sizes 1 1/2-10"
- Adjustable hydraulic relay (N.O. or N.C.)
- Automatic regulation override (feature 09) sizes 1 1/2-10"

### Technical Data

**Pressure Rating:** 25 bar (350 psi)

**Working Temperature:** Water up to 80°C (180°F)

**Flow Factor:**

**Closing (0 to C):** Kv 0.26 (Cv 0.3)

**Opening (C to A):** Kv 0.35 (Cv 0.4)

**Standard Materials:**

**Body & cover:** Brass

**Elastomers:** NBR

**Internals:** Stainless Steel & Brass

**Spring:** Galvanized Steel

**Optional Materials:**

**Metal Parts:** Stainless Steel, Nickel Aluminum Bronze, Hastalloy

**Elastomers:** FPM (Viton®)

### Adjustment Range

Spring	Pressure		
	bar	psi	
16	1-16	15-230	Standard
10	0.8-10	7-150	Optional

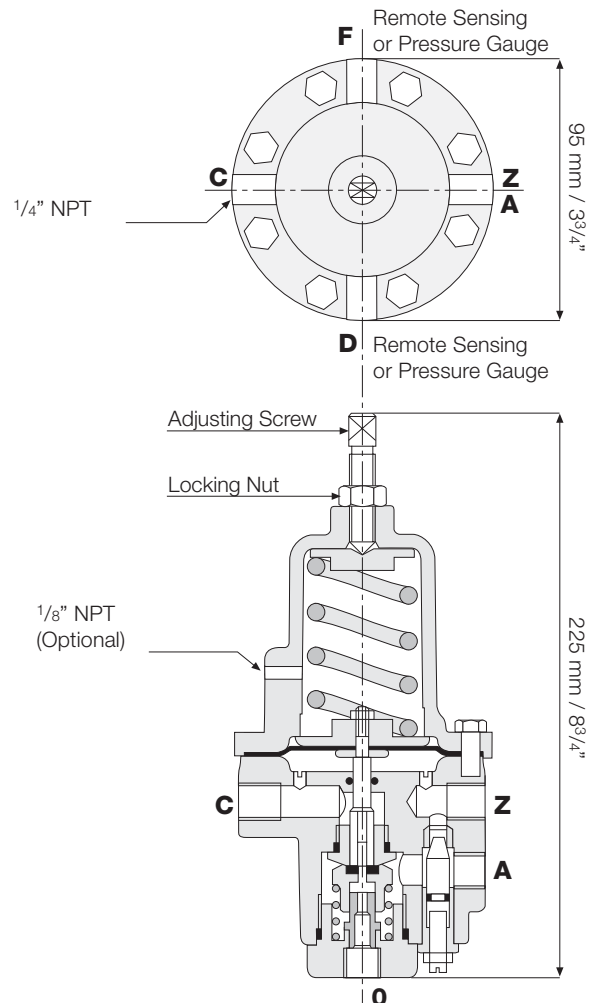
### Connections

0 - Upstream for reducing, vent for sustaining

C - Valve control chamber

A/Z - Vent for reducing, upstream for sustaining

F/D - Sensing/pressure gauge



Weight: 2.7 Kg / 6 lbs.