

## 2-Way Solenoid Valve Servo-Assisted Diaphragm Actuated

### Burkert 5281 Series

This is a diaphragm actuated, servo-assisted pilot operated 2-Way solenoid valve.

It is available in two versions:

- Normally Closed (Model: 5281A)
- Normally Open (Model: 5281B)

### Features

- High flow rates (low head loss)
- Normally Open or Closed version

### Technical Data

#### Standard Materials:

**Body:** Brass

**Elastomers:** NBR

**Enclosure:** Molded epoxy

**Internals:** Stainless Steel

**Ports:** 1/2", 3/4" NPT

#### Temperature:

**Nominal Ambient:** 0.5 to 55°C (33 to 131°F)<sup>(1)</sup>

**Maximum Fluid:** 0 to 90°C (32 to 194°F)

#### Enclosure Type:

One-piece molded epoxy.

General purpose: IP 65 with DIN, cable plug

#### Electrical Data:

**Voltages:**<sup>(2)</sup>

(ac): 24, 110, 220 (50Hz)

(ac): 24, 120, 240 (60Hz)

(dc): 24, 110, 220

Tolerance: ±10%

#### Power Consumption:

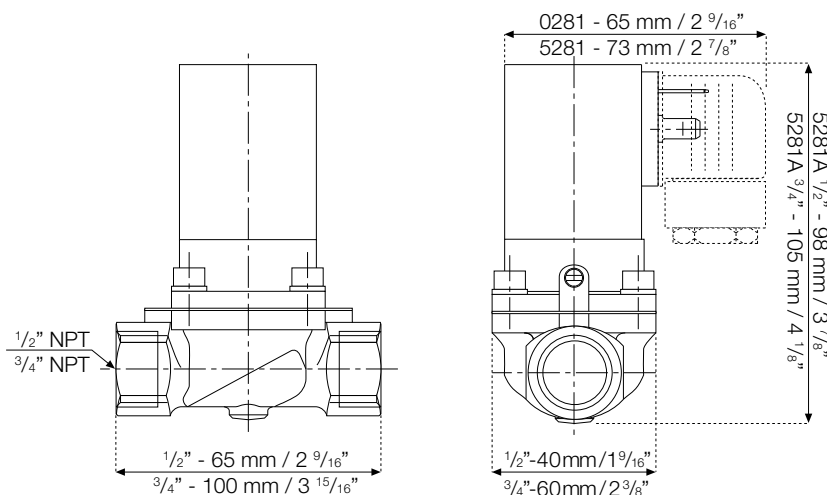
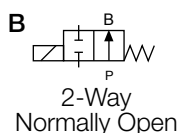
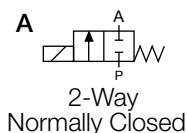
(ac): 21 VA, inrush; 12 VA (8W), holding

(dc): 8W

#### Hydraulic Data:

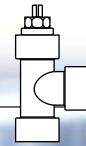
Port Size	Orifice DN	Flow Factor		Pressure Range <sup>(3)</sup>	
		Kv	Cv	Bar	psi
1/2"	13	4.0	4.7	0.2-16	3-230
3/4"	20	5.0	5.8	0.2-16	3-230

#### Circuit Functions



#### Notes:

- (1) Max. ambient temperature is determined under continuously energized conditions, and with max. fluid temperature.
- (2) 5281 AC coils can be replaced with AC or DC coils; DC coils can be replaced only with other DC coils.
- (3) A minimal pressure differential of 0.5 bar (7.5 psi) is required for complete opening.



## 2-Way Solenoid Valve High Pressure Servo-Assisted Piston Actuated

### Burkert 404 Series

This is a piston actuated 2-Way servo-assisted pilot operated 2-Way solenoid valve.

It is available in two versions:

- Normally Closed (model: 5404A)
- Normally Open (model: 0404B)

### Features

- High pressure applications
- Unaffected by pressure surges
- Normally Open or Closed versions

### Technical Data

#### Standard Materials:

**Body:** Brass

**Elastomers:** NBR & PTFE

**Enclosure:** Molded epoxy

**Internals:** Stainless Steel

**Ports:** 1/2" NPT

#### Temperature:

**Nominal Ambient:** 0.5 to 55°C (33 to 131°F)<sup>(1)</sup>

**Maximum Fluid:** 0 to 90°C (32 to 194°F)

#### Enclosure Type:

One-piece molded epoxy

General purpose: IP 65 with DIN, cable plug

#### Electrical Data:

##### Voltages:<sup>(2)</sup>

(ac): 24, 110, 220 (50Hz)

(ac): 24, 120, 240 (60Hz)

(dc): 24, 110, 220

Tolerance: ± 10%

##### Power Consumption:

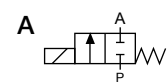
(ac): 21 VA, inrush; 12 VA (8W), holding

(dc): 8W

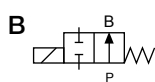
#### Hydraulic Data:

Circuit Functions	Orifice DN	Flow Factor		Pressure Range <sup>(3)</sup>	
		Kv	Cv	Bar	psi
A (N.C.)	12	2.0	2.3	1-50	15-725
B (N.O.)	12	2.0	2.3	1-32	3-230

#### Circuit Functions



2-Way  
Normally Closed



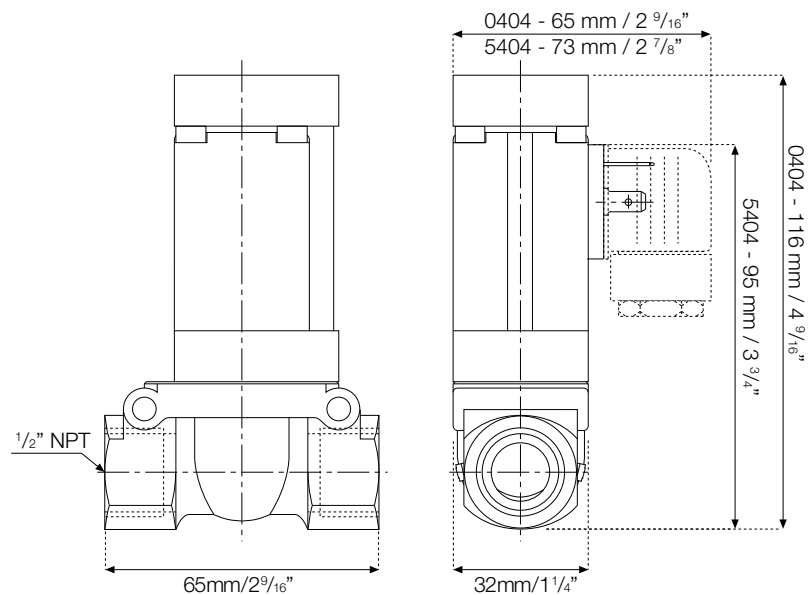
2-Way  
Normally Open



Model 5404A



Model 0404B



#### Notes:

- (1) Max. ambient temperature is determined under continuously energized conditions, and with max. fluid temperature.
- (2) 5404A AC coils can be replaced with AC or DC coils; DC coils can be replaced only with other DC coils. 0404B coils are not replaceable.
- (3) A minimal pressure differential of 1.0 bar (15 psi) is required for complete opening.